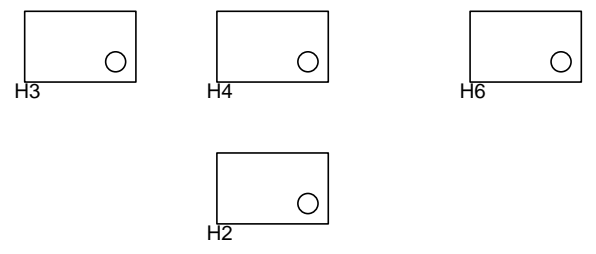
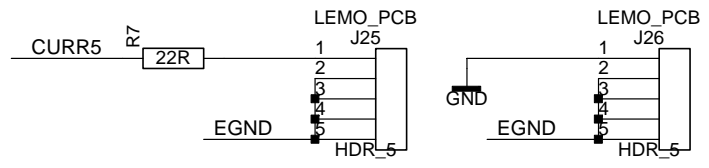
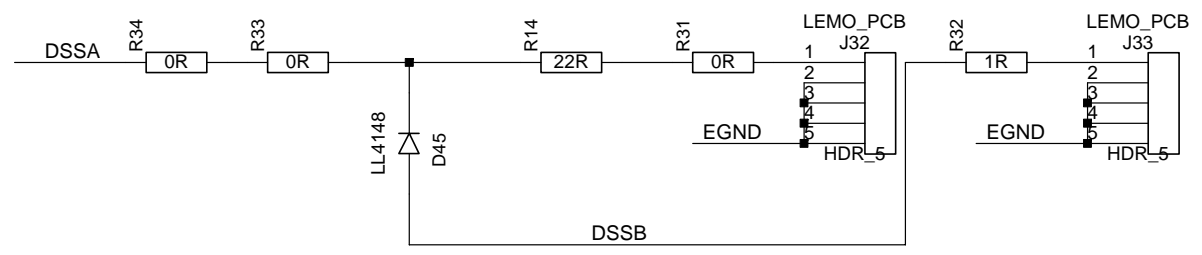
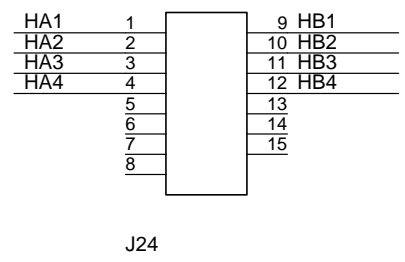
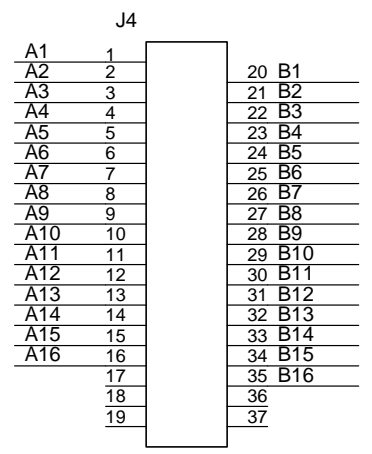
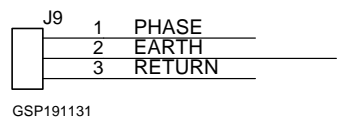


REV: 2	DATE: 22.10.2007	ENG: B.PALAN, I. HRUSKA
PROJECT: DSS_LVPS INTERLOCK BOARD V1		REVIEW 25.9.2006
COMPANY: CERN ADDRESS: PH-UAT, ATLAS/TILECAL/LVPS GROUP CITY: GENEVA COUNTRY: SWITZERLAND		
INITIAL 1.4.2005/25.9.2006	PAGE: 1	OF: 6

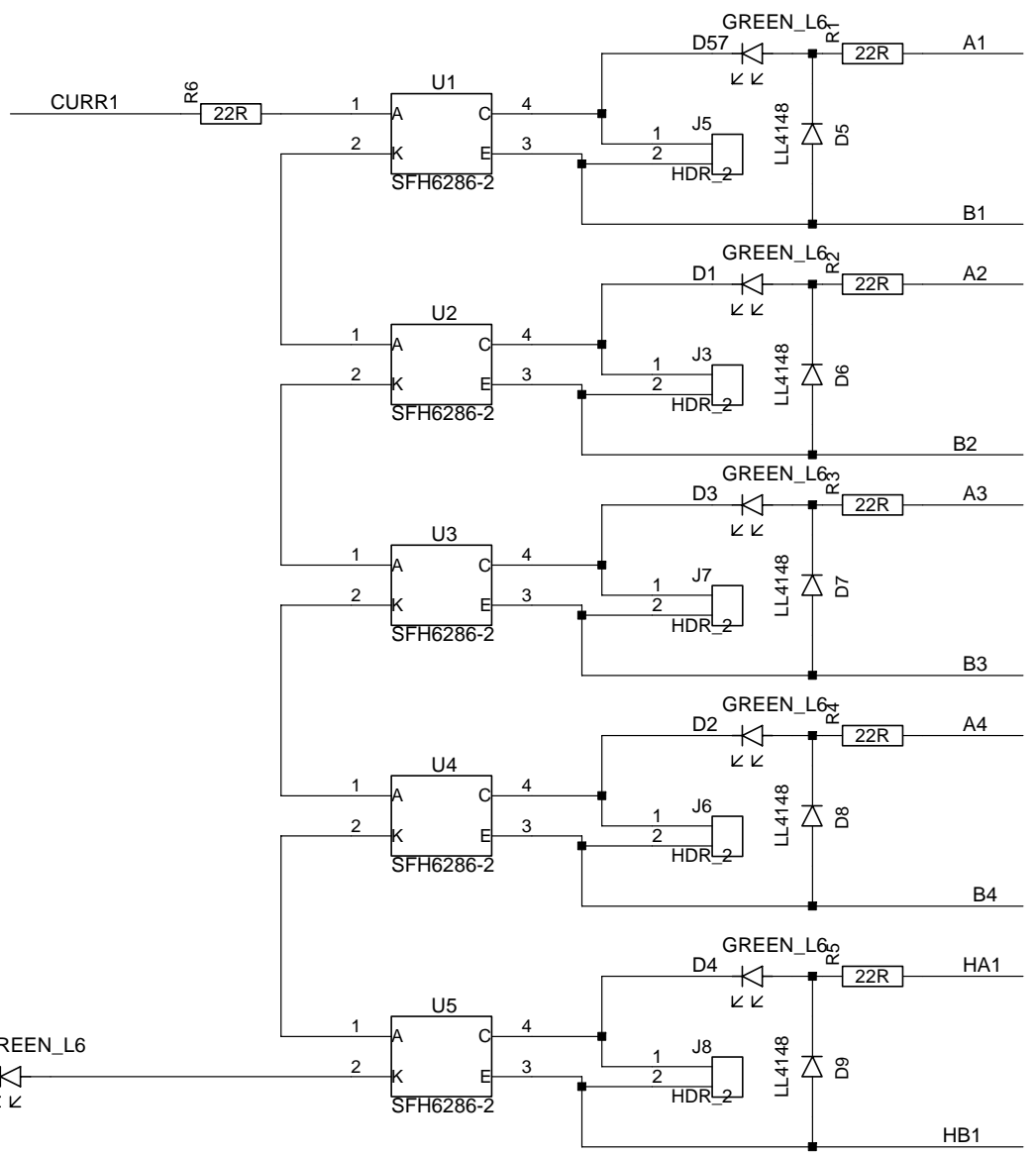
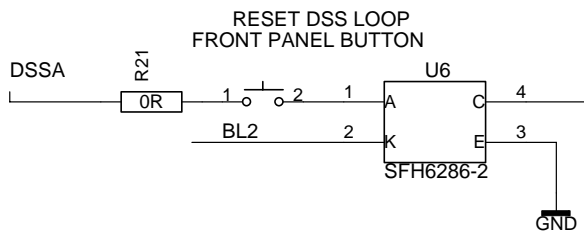
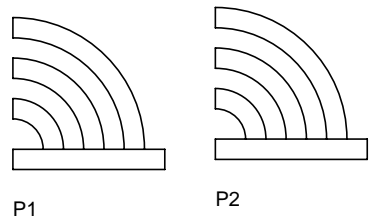
8 7 6 5 4 3 2 1



REV: 2	DATE: 22.10.2007	ENG: B.PALAN, I. HRUSKA
PROJECT: DSS_LVPS INTERLOCK BOARD V1		REVIEW 25.9.2006
COMPANY: CERN		
ADDRESS: PH-UAT, ATLAS/TILECAL/LVPS GROUP		
CITY: GENEVA		
COUNTRY: SWITZERLAND		
INITIAL	1.4.2005/25.9.2006	PAGE: 2 OF: 6

8 7 6 5 4 3 2 1

REV: 2	DATE: 22.10.2007	ENG: B.PALAN, I. HRUSKA
PROJECT: DSS_LVPS INTERLOCK BOARD V1		REVIEW 25.9.2006
COMPANY: CERN ADDRESS: PH-UAT, ATLAS/TILECAL/LVPS GROUP CITY: GENEVA COUNTRY: SWITZERLAND		
INITIAL	1.4.2005/25.9.2006	PAGE: 3 OF: 6



8 7 6 5 4 3 2 1

D

D

C

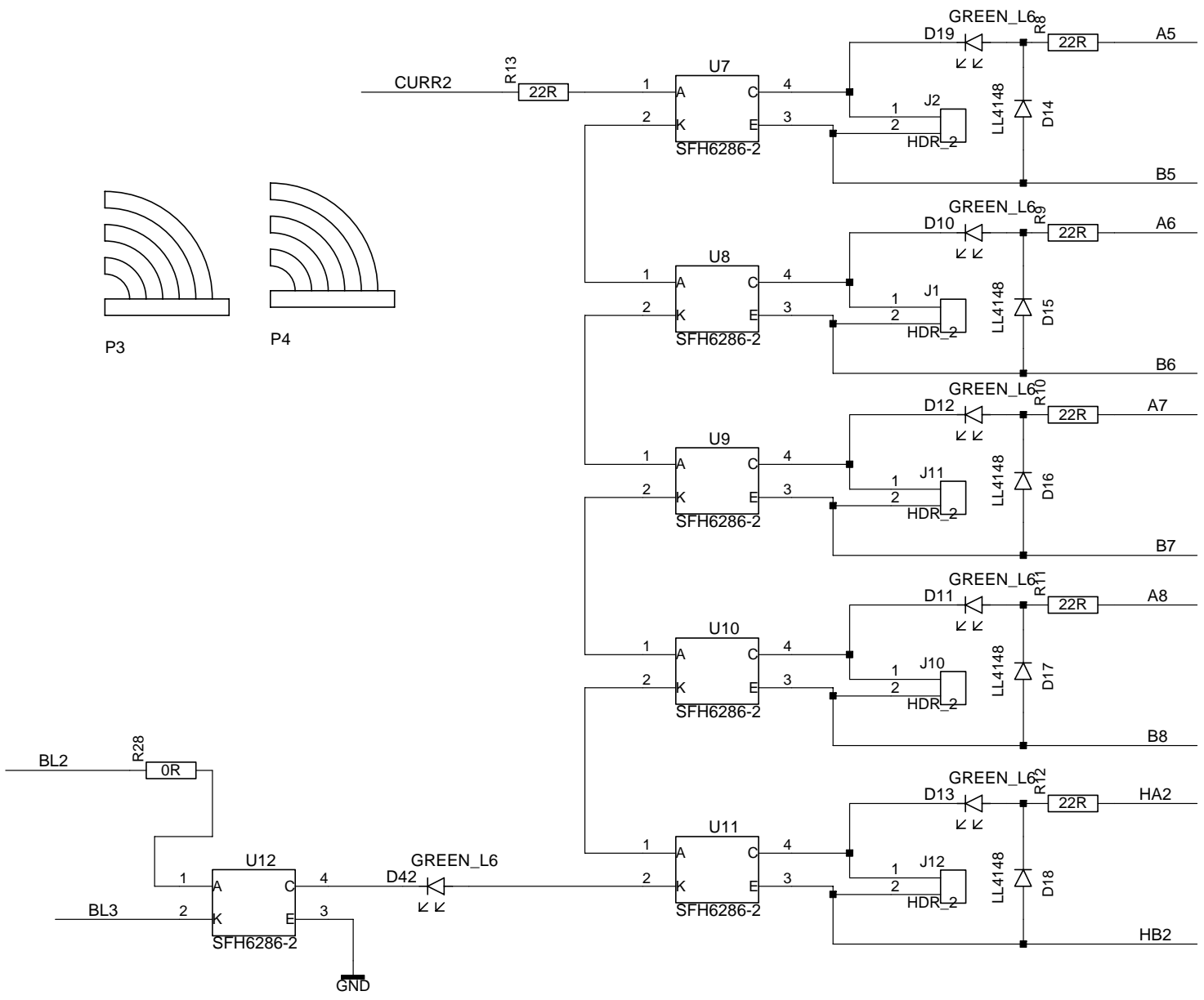
C

B

B

A

A



REV: 2	DATE: 22.10.2007	ENG: B.PALAN, I. HRUSKA
PROJECT: DSS.LVPS INTERLOCK BOARD V1		REVIEW 25.9.2006
COMPANY: CERN		ADDRESS: PH-UAT, ATLAS/TILECAL/LVPS GROUP
CITY: GENEVA		COUNTRY: SWITZERLAND
INITIAL	1.4.2005/25.9.2006	PAGE: 4 OF: 6

8 7 6 5 4 3 2 1

D

D

C

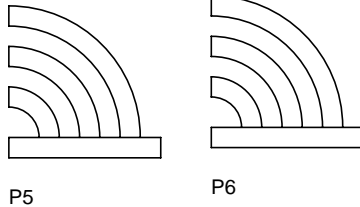
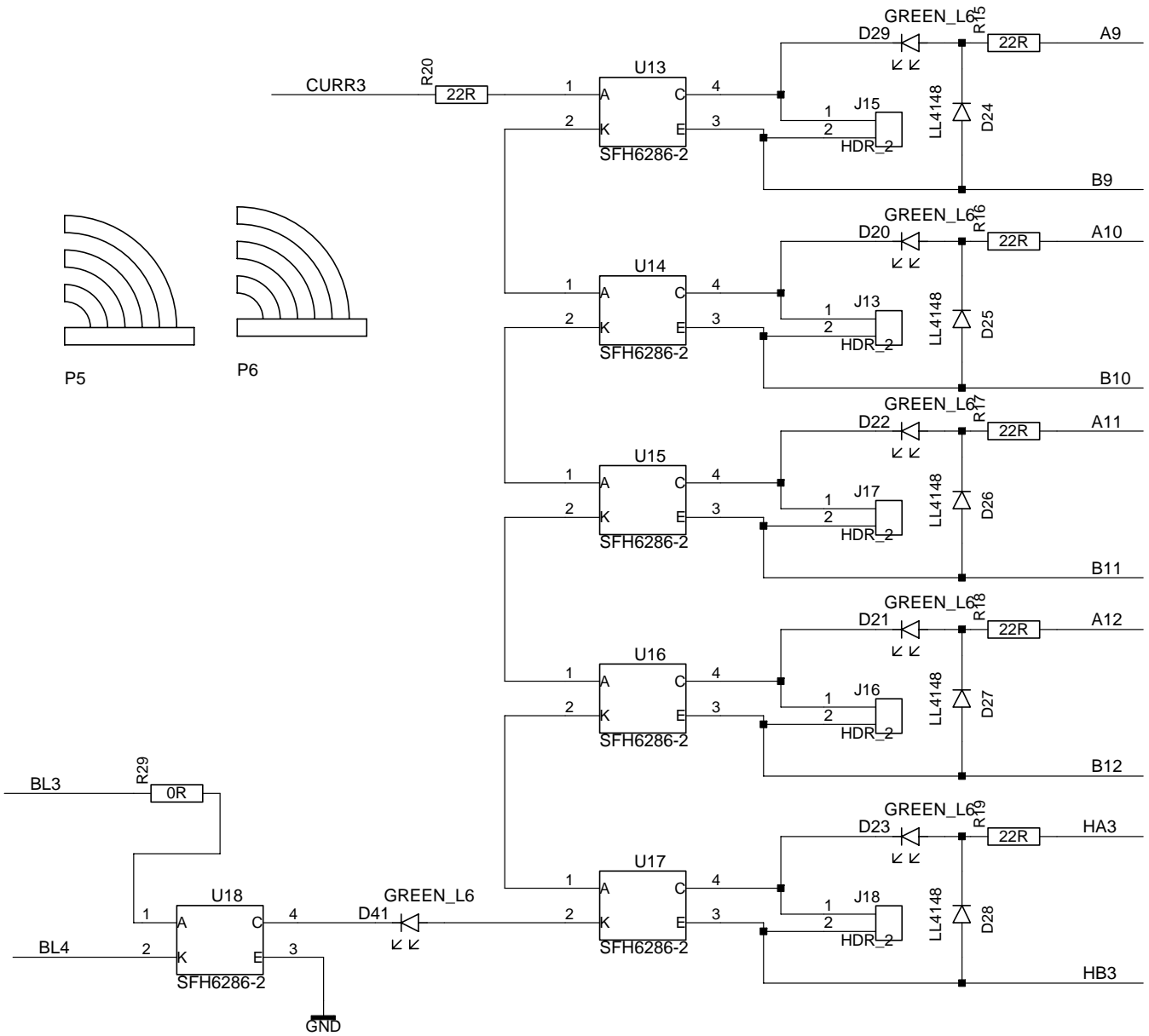
C

B

B

A

A



REV: 2	DATE: 22.10.2007	ENG: B.PALAN, I. HRUSKA
PROJECT: DSS_LVPS INTERLOCK BOARD V1		REVIEW 25.9.2006
COMPANY: CERN ADDRESS: PH-UAT, ATLAS/TILECAL/LVPS GROUP CITY: GENEVA COUNTRY: SWITZERLAND		
INITIAL	1.4.2005/25.9.2006	PAGE: 5 OF: 6

8 7 6 5 4 3 2 1

8 7 6 5 4 3 2 1

D

D

C

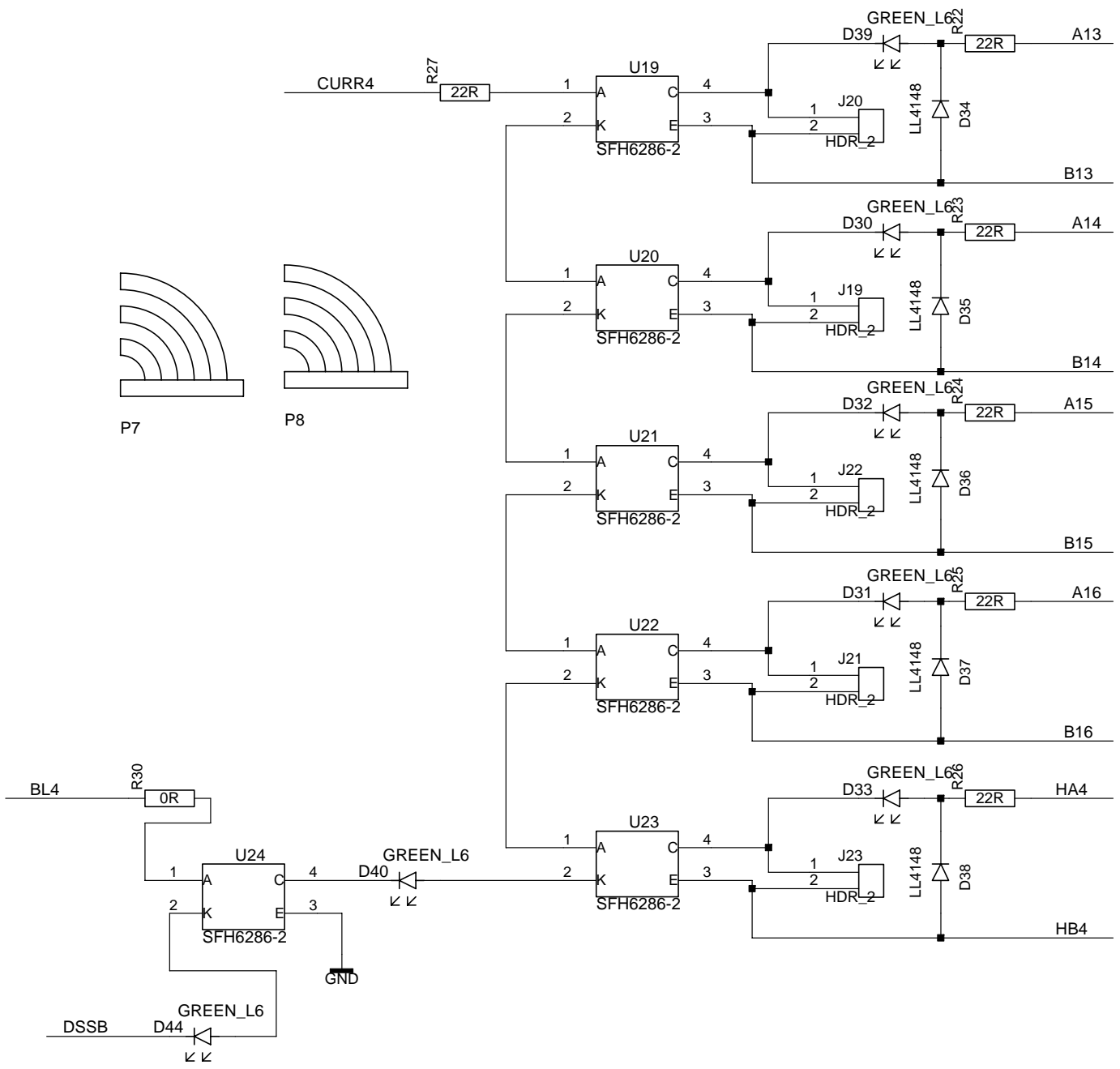
C

B

B

A

A



REV: 2	DATE: 22.10.2007	ENG: B.PALAN, I. HRUSKA
PROJECT: DSS_LVPS INTERLOCK BOARD V1		REVIEW 25.9.2006
COMPANY: CERN		
ADDRESS: PH-UAT, ATLAS/TILECAL/LVPS GROUP		
CITY: GENEVA		
COUNTRY: SWITZERLAND		
INITIAL	1.4.2005/25.9.2006	PAGE: 6 OF: 6

8 7 6 5 4 3 2 1