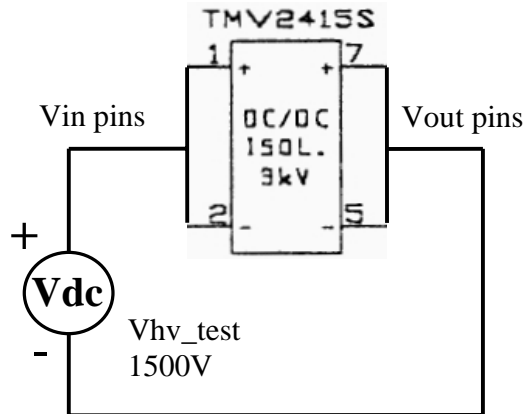


TRACO TMV2415S Isolation Tests

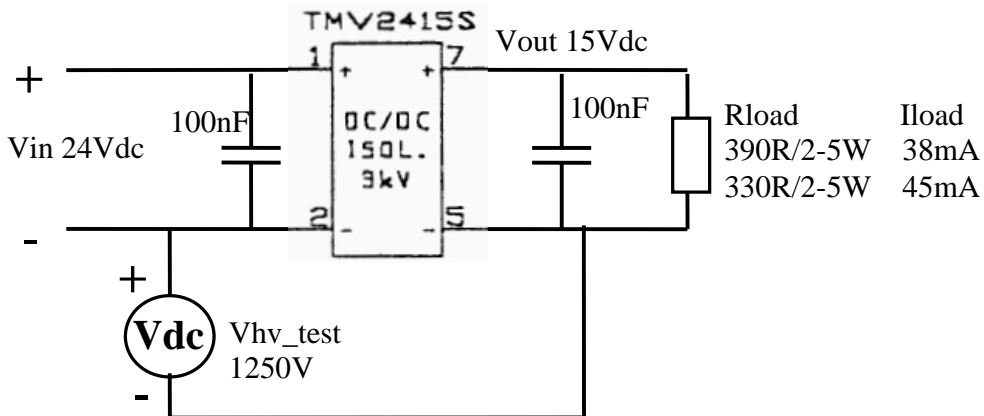
TEST 1.

IN/OUT isolation test during min 8hours.



TEST 2.

IN/OUT isolation test in working conditions during min 8hours.



MANUFACTURER DATASHEET TMV2415S

Pout	1W DC/DC converter
Vin	24V +/-10%
Vout	15V / 65mA
Eff	79%
Isolation	3000V (applied only 1min)
Iso Cap	60pF

HVS1 power supply – TMV2415S in application - 2channel HV Control Card – 2x Schemes for Ch1

