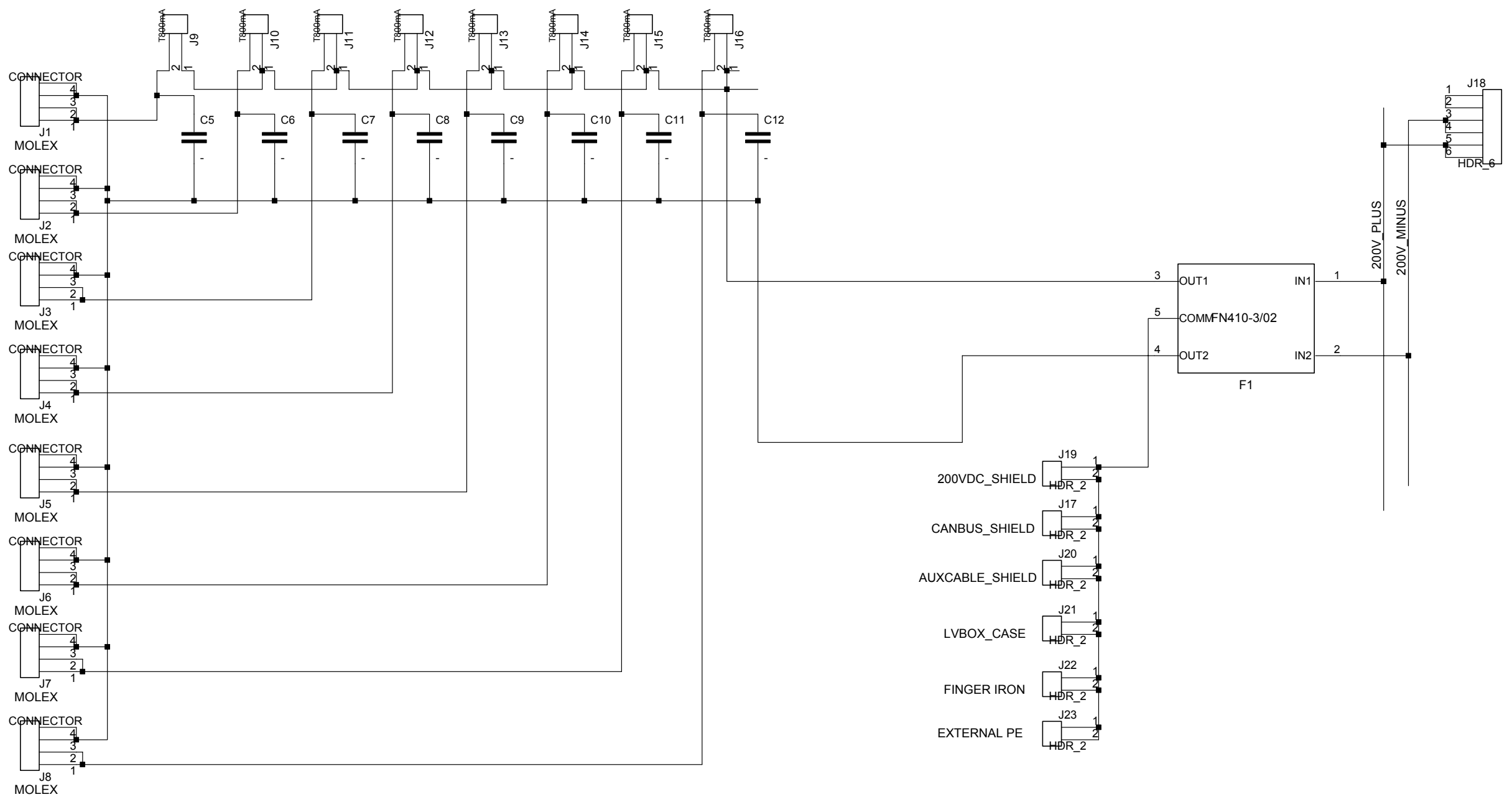


8 7 6 5 4 3 2 1



|   |                 |                  |
|---|-----------------|------------------|
| REV: 4  | DATE: 20.8.2005 | ENG: IVAN HRUSKA |
| PROJECT: TILECAL LV SUPPLY LV BOX FUSE & FILTER |                 |                  |
| COMPANY: CERN                                   |                 |                  |
| ADDRESS: -                                      |                 |                  |
| CITY: GENEVA                                    |                 |                  |
| COUNTRY: SWITZERLAND                            |                 |                  |
| INITIAL   | 1.8.2003        | PAGE: 1 OF: 1    |

8 7 6 5 4 3 2 1