

ELMB_MB v.6.5 modifications for version 6.5.1.

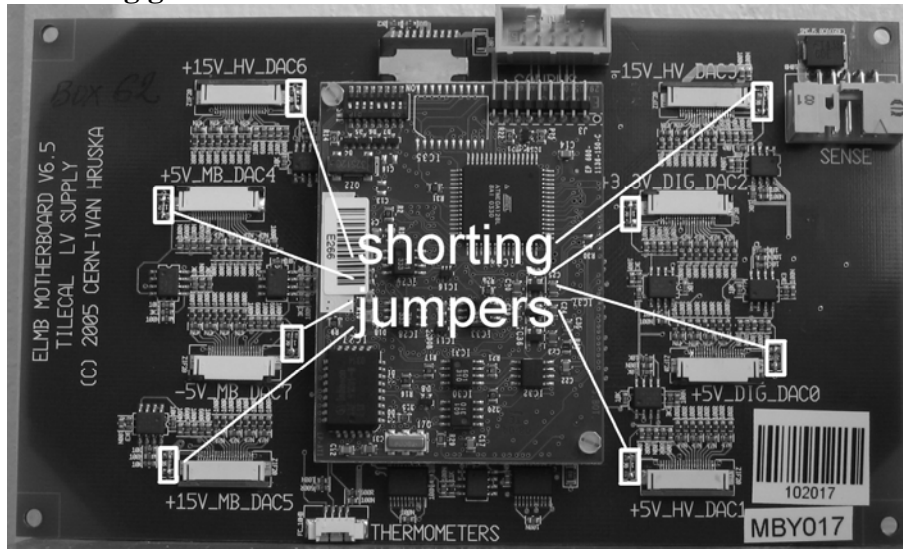
Anton Tikhonov, Yury Shulhevich, Alexander Solin, Bohuslav Palan

Date: 19 Oct 2006

Pages: 2

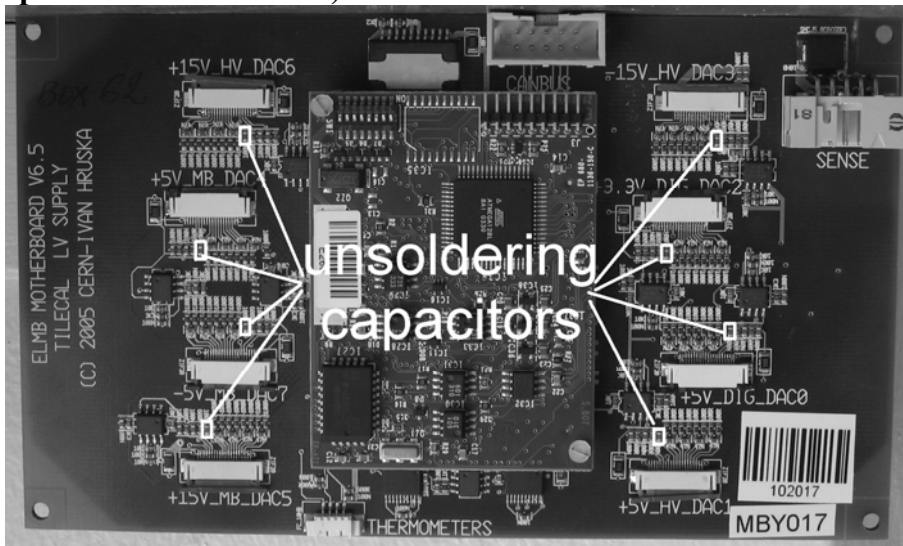
Summary: This document describes the component changes on LVPS ELMB_MB from produced version 6.5 into version 6.5.1. All mentioned component names and values are referring to the scheme components designed by Ivan Hruska of ELMB_MB version 6.5.

1. Shortcutting ground resistors R 129 – 136. Put zero ohm resistors.



Pic1: Top side photo of ELMB_MBv6.5. Remove 8x 10ohm resistors and short them or put zero ohm resistors.

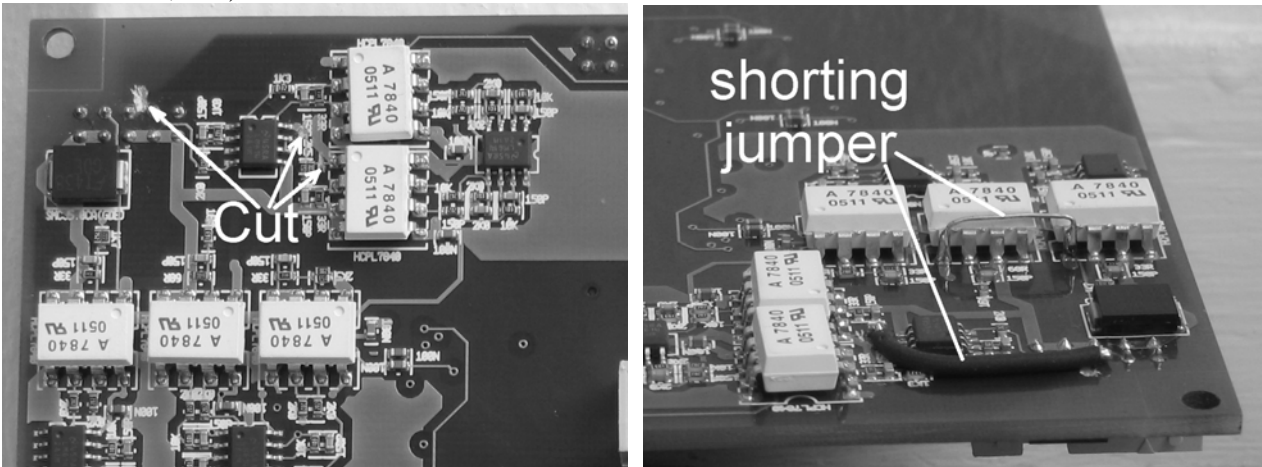
2. Removing C119, C99, C109, C129, C89, C61, C45, C79. (Eliminating one temperature measurement).



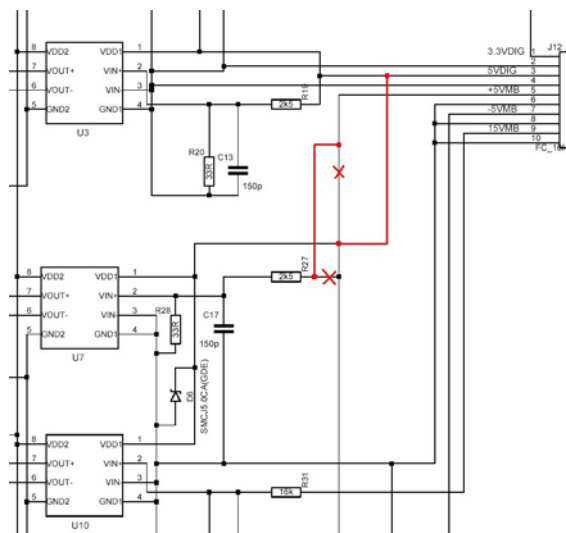
Pic2: top side photo of ELMB_MBv6.5. Remove 8x 100nF capacitors.

3. Fixing Drawer sense lines measurement:

Cutting +5V MB line from pin 5 (connector J12) and R27. Then R27 connect directly to pin 5 of J12 connector. Then the Vdd of the U7, 10, 12, 13 connect to the +5V DIG (pin 2, J12).



Pic3 and 4: back side photos of ELMB_MBv6.5. Cut traces and powering optocouplers from 5VDIG level.



Pic.5: Part of the MB_ELMB V6.5 scheme documentation, page 7. Changes of sense line optocouplers powering.