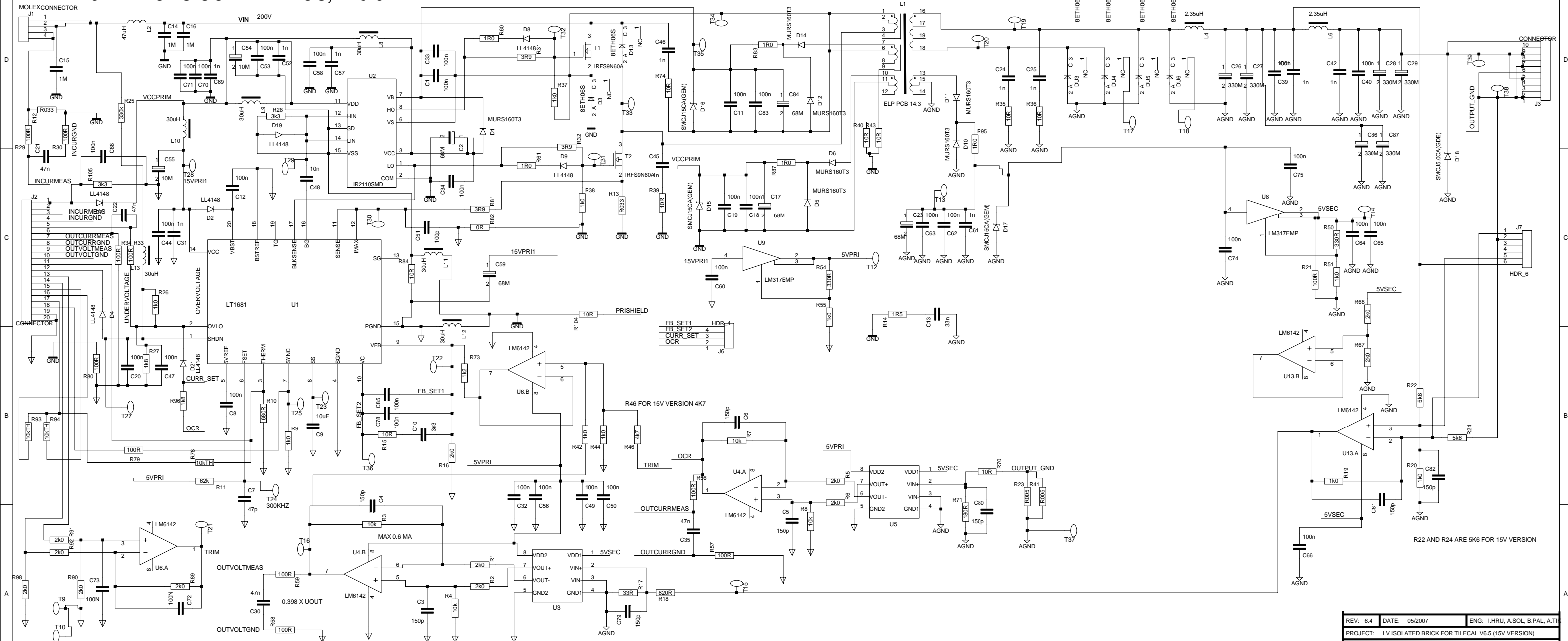


15V BRICKS SCHEMATICS, V.6.5

CUSTOM DESIGN, PRINTED LTD.



REV: 6.4	DATE: 05/2007	ENG: I.HRU, A.SOL, B.PAL, A.TI
PROJECT: LV ISOLATED BRICK FOR TILECAL V6.5 (15V VERSION)		
COMPANY: CERN/ATLAS/TILECAL/LVPS GROUP		
ADDRESS: GENEVE		
CITY: GENEVE		
COUNTRY: SWITZERLAND		
INITIAL	06.2004	PAGE: 1 OF: 1