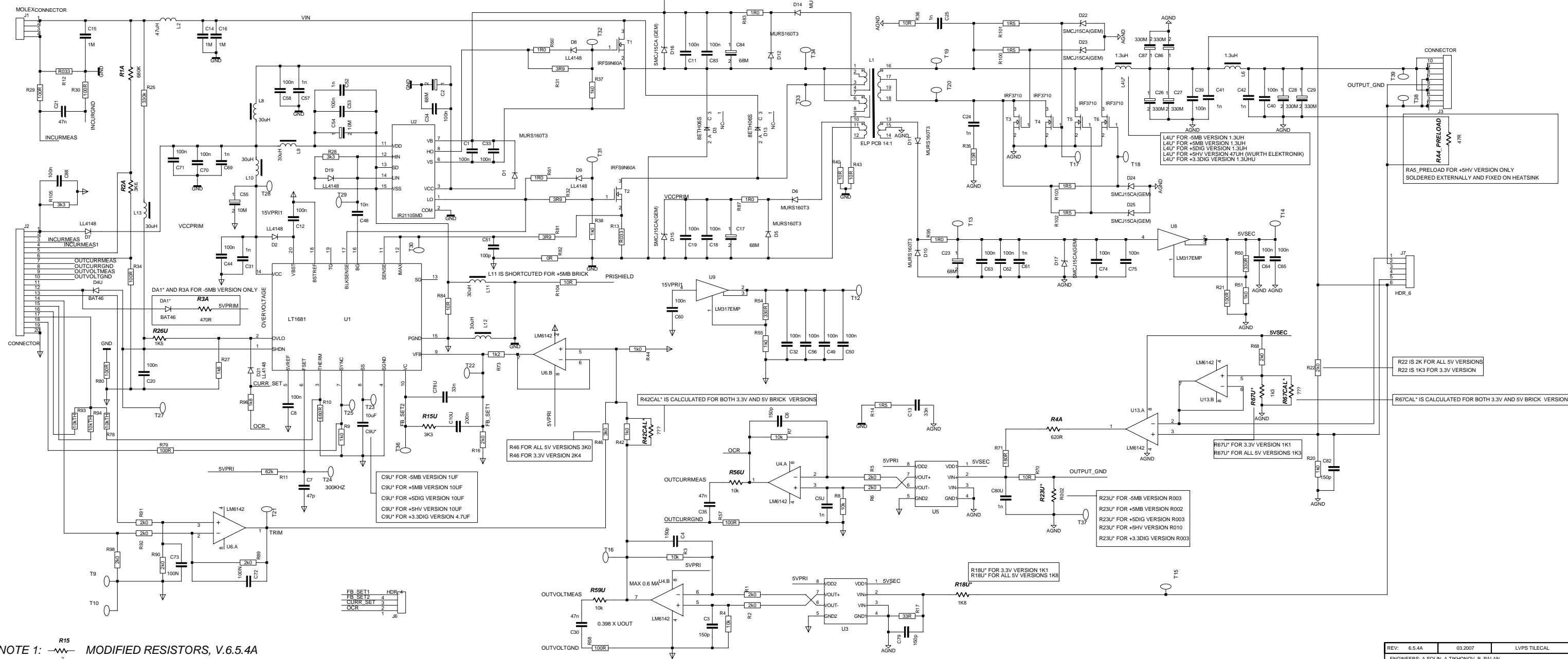


3.3V AND 5V BRICKS SCHEMATICS, REV.6.5.4A



NOTE 1: R_{15} MODIFIED RESISTORS, V.6.5.4A

NOTE 2: R_{42CAL} * AND R_{67CAL} * ARE CALCULATED BY CALC.XLS

| | | |
|-------------------------------------------------------------------|---------|--------------|
| REV: 6.5.4A | 03.2007 | LVPS TILECAL |
| ENGINEERS: A.SOLIN, A.TIKHONOV, B.PALAN | | |
| PROJECT: 3.3V AND 5V BRICKS, V6.5.4A PRODUCTION VERSION 2007-2008 | | |
| COMPANY: CERN/ATLAS/TILECAL/LVPS GROUP | | |
| ADDRESS: CH-1211, GENEVE 23 | | |
| CITY: GENEVE | | |
| COUNTRY: SWITZERLAND | | |
| INITIAL: 27.03.2002 | PAGE: 1 | OF: 1 |